



Notes
 1. Do not scale from this drawing
 2. To be read in conjunction with Project Risk Register REF: XXX
 3. To be read in conjunction with all other Landscape Architect's drawings

KEY

A	Staff and Visitor Car Parking Spaces - 139 Parent Drop off Spaces at Bryn Road - 26
B	Service Yard and turning head with Bin Stores
C	All Weather Grass Pitch 55.5 x 37m 3 Nr. 5-a-side Football Pitches
D	High School MUGAS 18.5 x 37m Tennis Netball 5 a-side
E	Playing Fields Remain as existing
F	High School Play and Amphitheatre
G	Primary School MUGAS 18.5 x 37m
H	Primary School Amphitheatre
I	Primary School Play
J	Nursery External Space
K	External Plant Space for Air Handling Units/Sprinkler Tanks
L	Pedestrian Footbridge to cross brook for direct access into fields
M	Forest School/Habitat/Science garden area for Primary School

ARUP

JOB TITLE	Mynydd Isa Campus
JOB NUMBER	280340
CLIENT	Flintshire County Council
MADE BY	Matthew Roberts
CHECKED BY	Gilles Geroni
DATE	29/07/2021
Description of spreadsheet	Luminaire Schedule
Document Number	FL0101-ARP-XX-XX-SP-E-00004

AUTHORISATION OF LATEST VERSION

Type and method of check	
Signatures & dates:	Made by Matthew Roberts
	Checked Gilles Geroni

REVISIONS

Current Revision	P01
Purpose of Issue	For Information
Date of Issue	29/07/21

Rev.	Date	Made by	Checked	Description
P01	29/07/21	MR	GG	Tender Issue

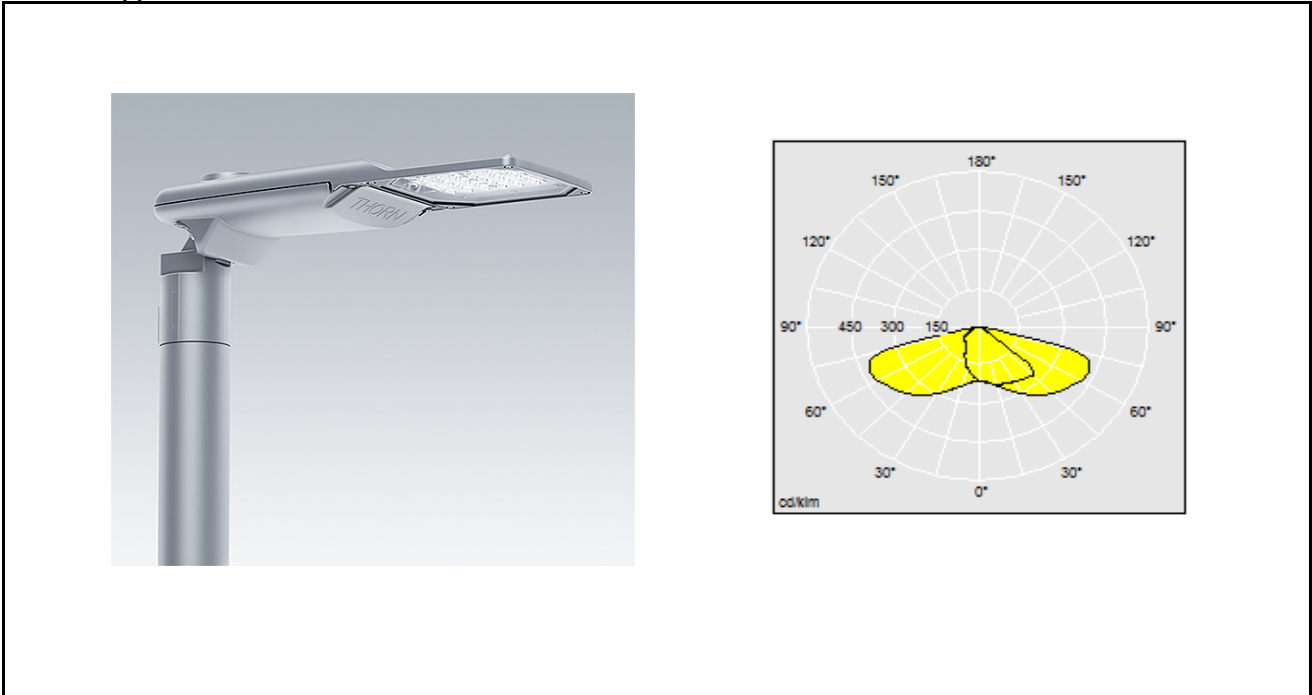
Job Title: Mynydd Isa Campus
 Document Ref: FL0101-ARP-XX-XX-SP-E-00004
 Job Number: 180340 Purpose of Issue: For Information

Luminaire Reference: XA
 Revision: P01
 Date: 29/07/2021

General Description

LED Street Lantern
 IP66 Rated
 IK09 Rated

General Appearance



Luminaire

Manufacturer	Thorn
Manufacturing standard	BS EN 60598
Lighting Range	Isaro Pro
Finish	Unpainted Aluminium

Light Source

Type	LED
Wattage	41W
Lumen Output	5369lm
Colour Temp	4000K

Control Gear / Transformer

Type	TBC
Dimmable	Fixed Output
Location (Remote/Integral)	Integral

Additional Information

- Luminaire to be provided with all necessary installation accessories
- Located in Car Park, Turn Around Areas and Traffic Areas
-
-
-

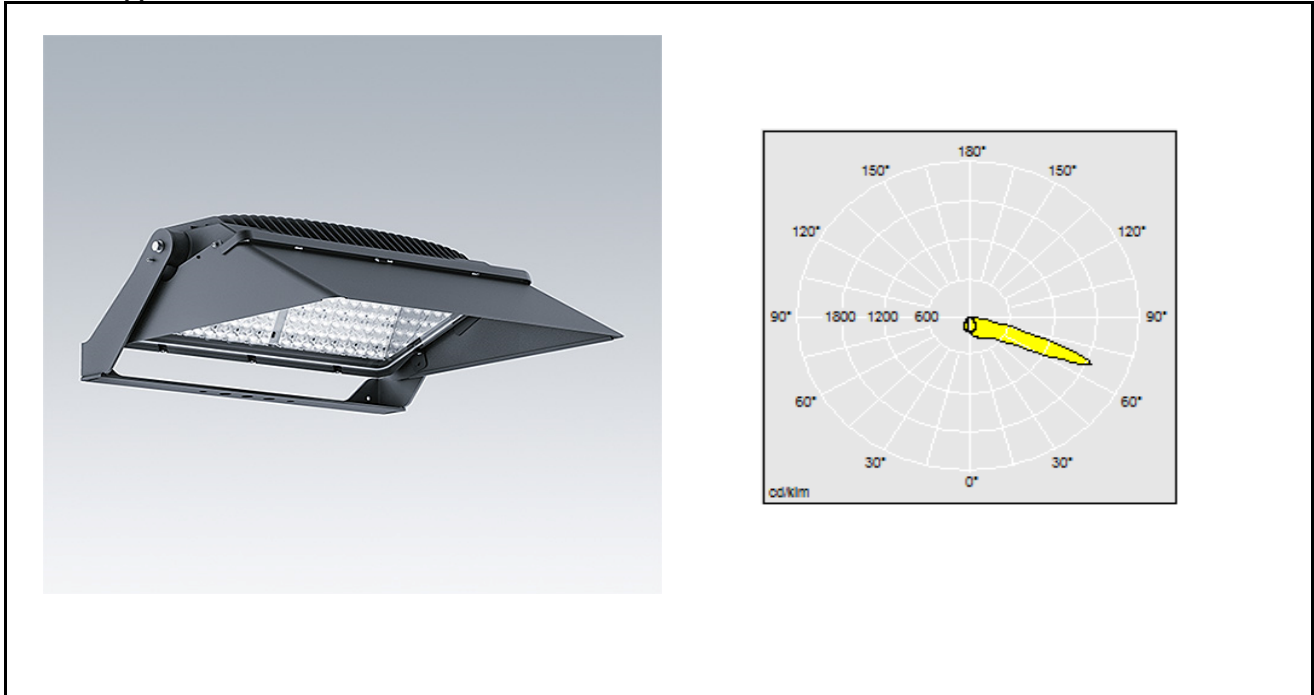
Job Title: Mynydd Isa Campus
 Document Ref: FL0101-ARP-XX-XX-SP-E-00004
 Job Number: 180340 Purpose of Issue: For Information

Luminaire Reference: XB
 Revision: P01
 Date: 29/07/2021

General Description

LED Floodlight
 IP66 Rated
 IK08 Rated

General Appearance



Luminaire

Manufacturer
 Manufacturing standard
 Lighting Range
 Finish

Thorn
BS EN 60598
Champion
Powder coated textured anthracite

Light Source

Type
 Wattage
 Lumen Output
 Colour Temp

LED
935W
113894lm
4000K

Control Gear / Transformer

Type
 Dimmable
 Location (Remote/Integral)

TBC
Fixed Output
Integral

Additional Information

1. Luminaire to be provided with all necessary installation accessories
2. Located in Sports Pitch Areas
- 3.
- 4.
- 5.

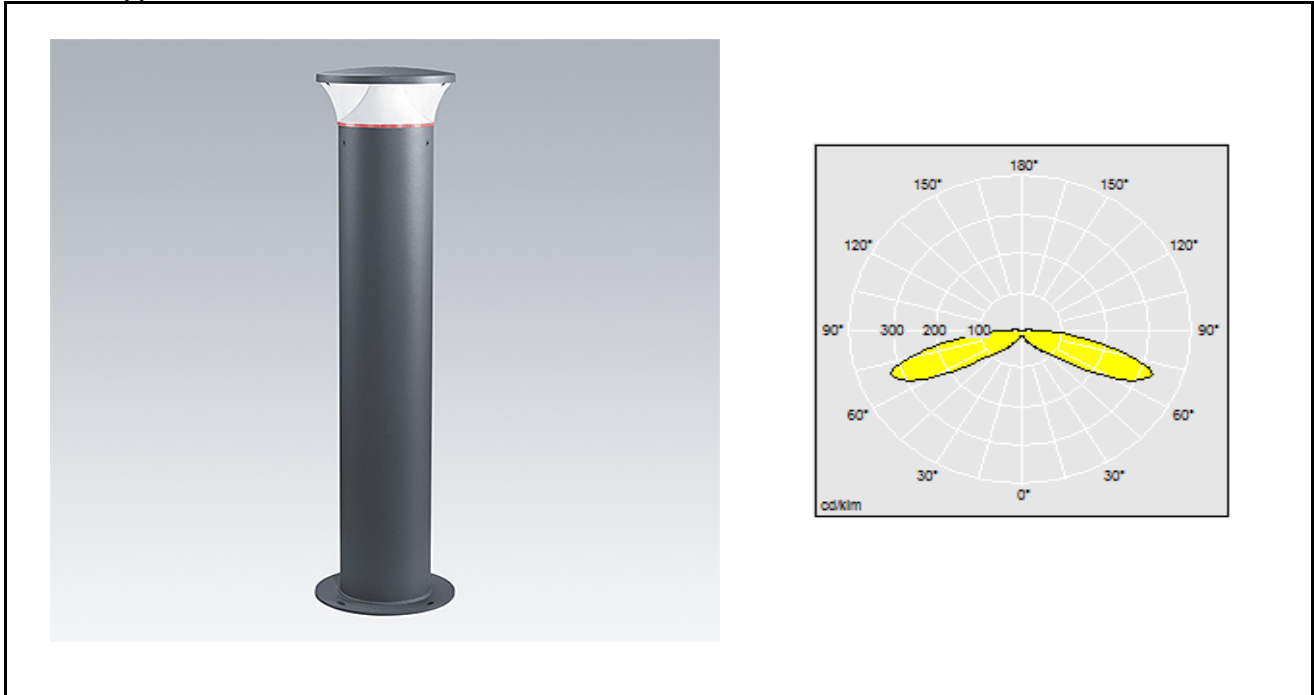
Job Title: Mynydd Isa Campus
 Document Ref: FL0101-ARP-XX-XX-SP-E-00004
 Job Number: 180340 Purpose of Issue: For Information

Luminaire Reference: XC
 Revision: P01
 Date: 29/07/2021

General Description

LED Low Level Bollard
 IP66 Rated
 IK10 Rated

General Appearance



Luminaire

Manufacturer
 Manufacturing standard
 Lighting Range
 Finish

Thorn
BS EN 60598
Thor Bollard
Powder coated anthracite

Light Source

Type
 Wattage
 Lumen Output
 Colour Temp

LED
11W
872lm
4000K

Control Gear / Transformer

Type
 Dimmable
 Location (Remote/Integral)

TBC
Fixed Output
Integral

Additional Information

- Luminaire to be provided with all necessary installation accessories
- Located in Pedestrian Walkways
-
-
-

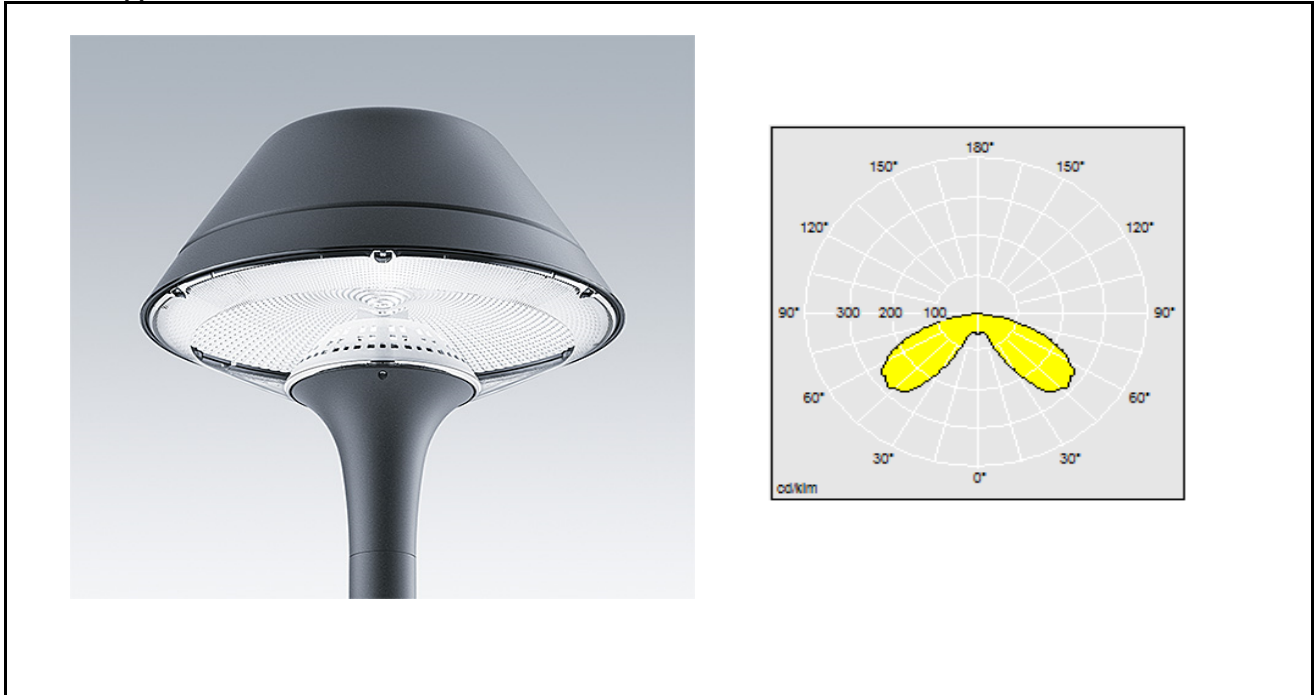
Job Title: Mynydd Isa Campus
 Document Ref: FL0101-ARP-XX-XX-SP-E-00004
 Job Number: 180340 Purpose of Issue: For Information

Luminaire Reference: XD
 Revision: P01
 Date: 29/07/2021

General Description

Post-Top LED Lantern
 IP66 Rated
 IK08 Rated

General Appearance



Luminaire

Manufacturer	Thorn
Manufacturing standard	BS EN 60598
Lighting Range	Plurio
Finish	Powder coated anthracite

Light Source

Type	LED
Wattage	26W
Lumen Output	3261lm
Colour Temp	4000K

Control Gear / Transformer

Type	1-10V
Dimmable	Fixed Output
Location (Remote/Integral)	Integral

Additional Information

- Luminaire to be provided with all necessary installation accessories
- Used in Pedestrian Walkways
-
-
-

Job Title: Mynydd Isa Campus
 Document Ref: FL0101-ARP-XX-XX-SP-E-00004
 Job Number: 180340 Purpose of Issue: For Information

Luminaire Reference: XE
 Revision: P01
 Date: 29/07/2021

General Description

Wall Mounted Luminaire
 IP65 Rated
 IK10 Rated

General Appearance



Luminaire

Manufacturer
 Manufacturing standard
 Lighting Range
 Finish

Thorn
BS EN 60598
Piazza II LED
Anthracite

Light Source

Type
 Wattage
 Lumen Output
 Colour Temp

LED
25W
2910lm
4000K

Control Gear / Transformer

Type
 Dimmable
 Location (Remote/Integral)

1-10V
Fixed Output
Integral

Additional Information

1. Luminaire to be provided with all necessary installation accessories
2. Used in Building Perimeter Area
- 3.
- 4.
- 5.